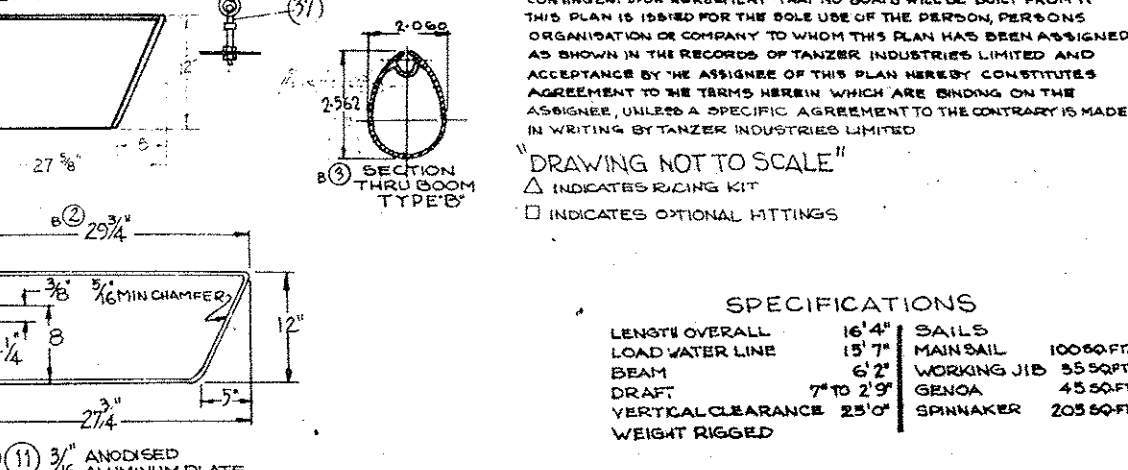
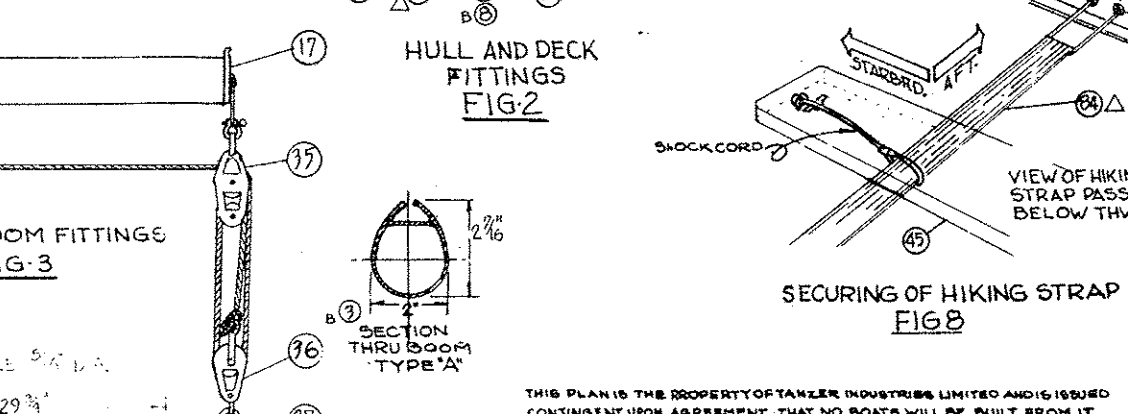
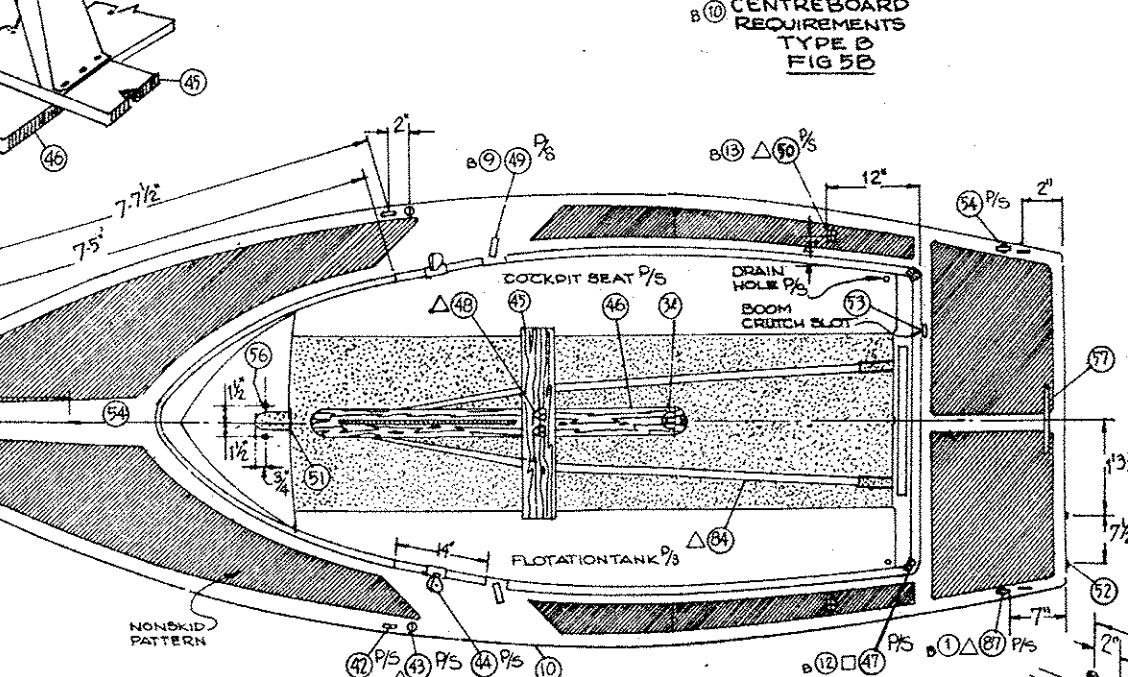
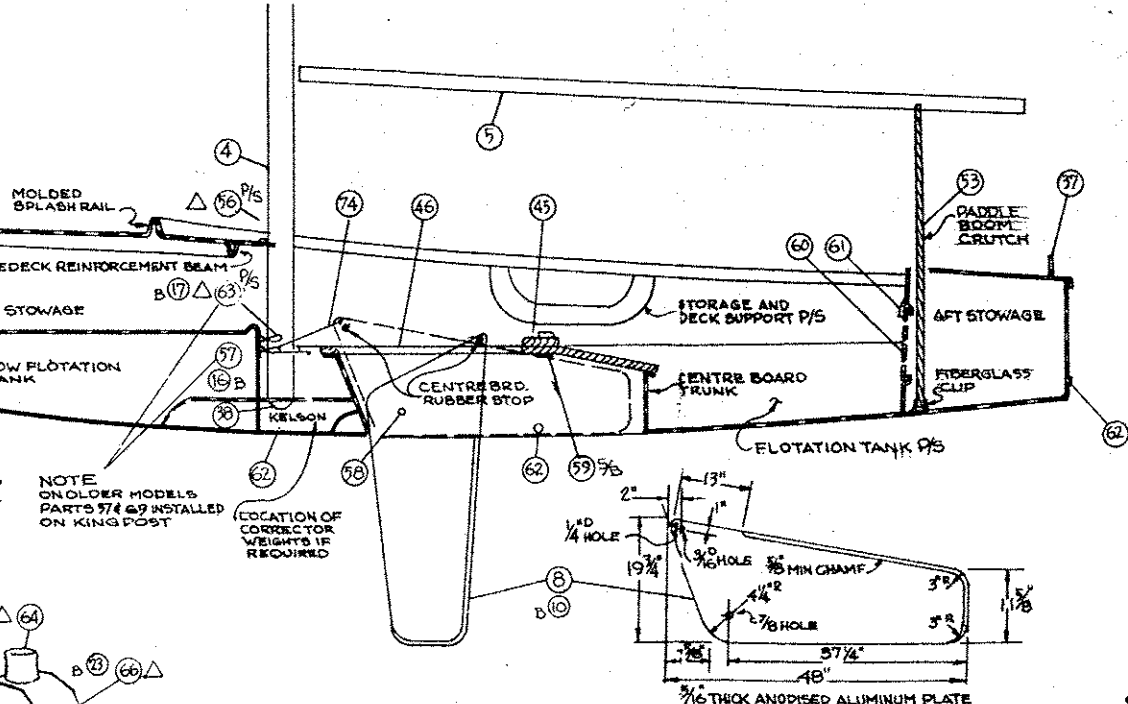
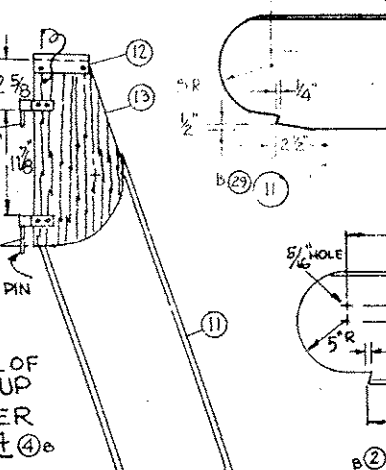
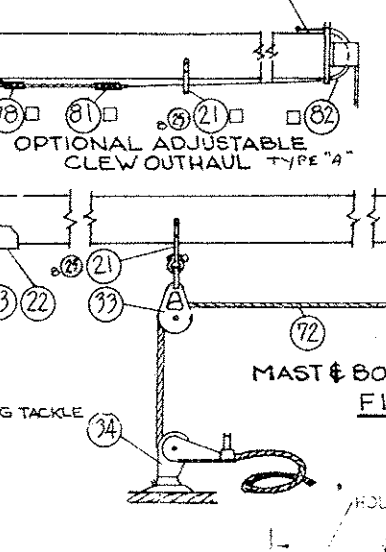
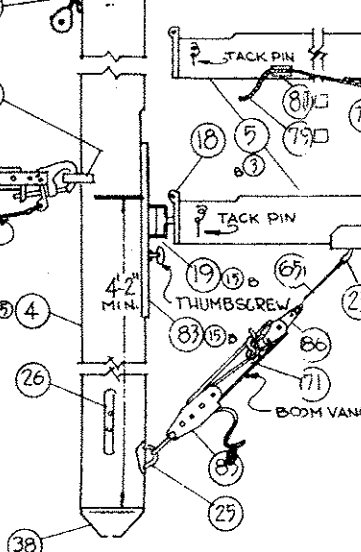
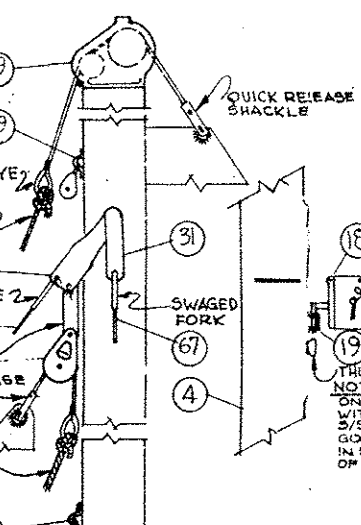
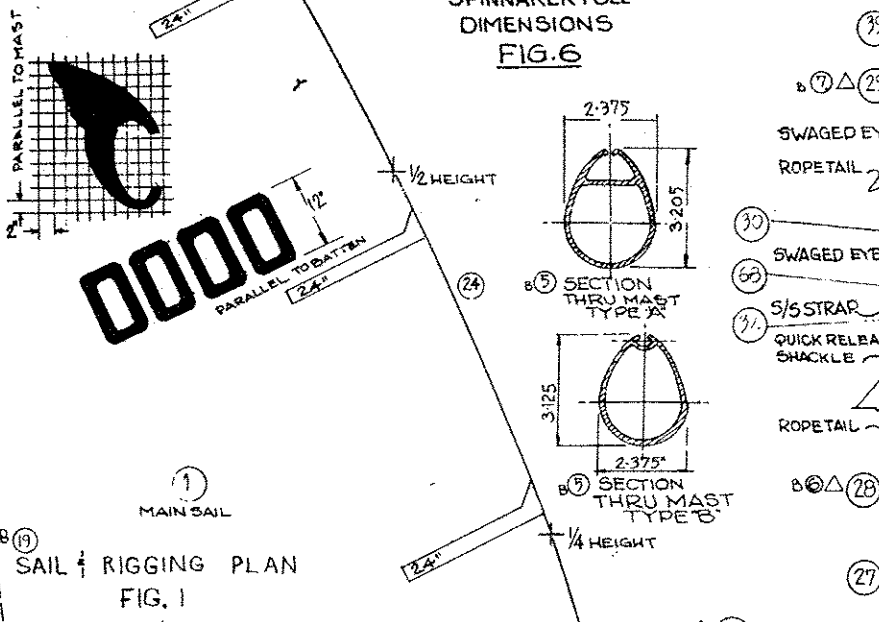
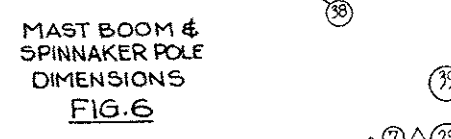
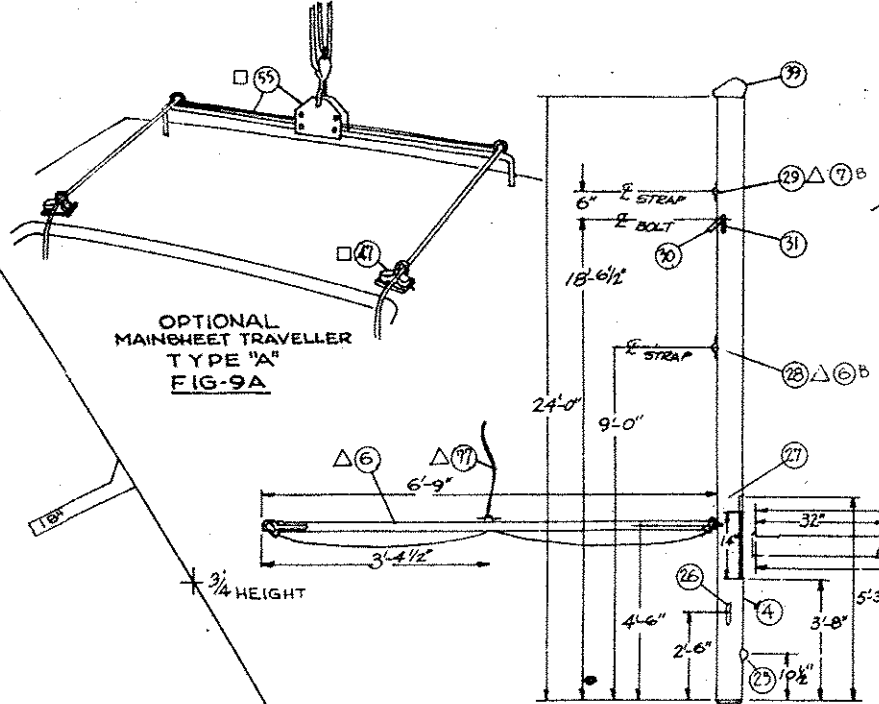
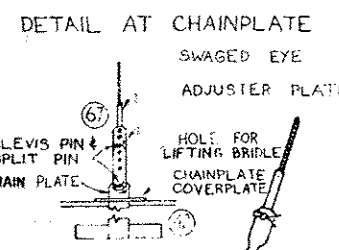


WORKING JIB

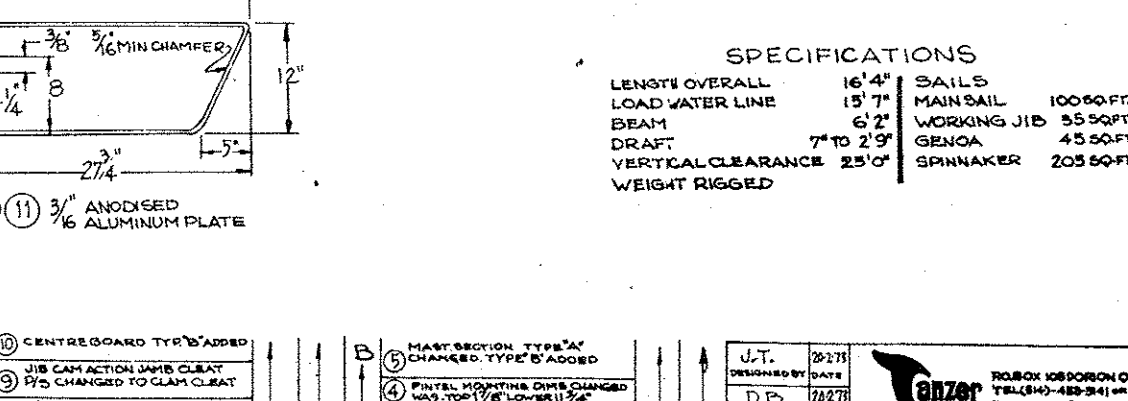
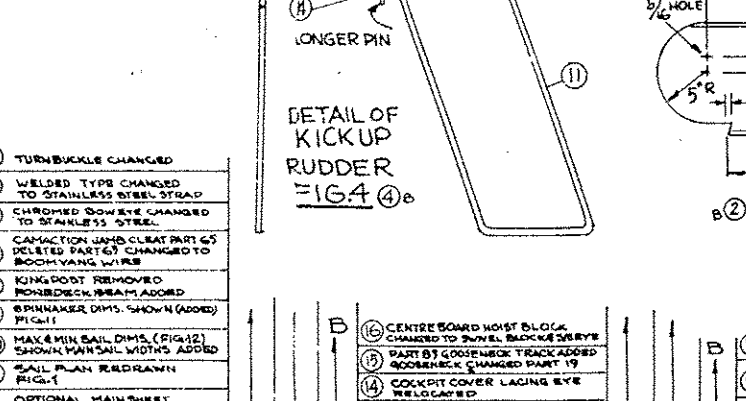
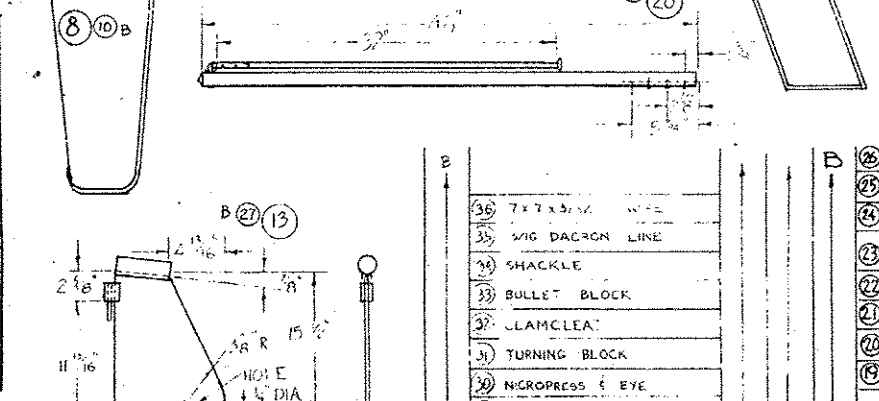
	GENOA	MAIN SAIL	MAIN SAIL WIDTHS
	MAX. MIN.	MAX. MIN.	MAX. MIN.
LUFF	14'-8" 14'-8"	16'-1" 15'-0"	19'-0" 19'-0"
LEECH	12'-1" 11'-0"	15'-4" 15'-1"	21'-6" 21'-4"
FOOT	9'-11" 8'-8"	7'-6" 7'-4"	9'-2 1/2" 8'-1 1/2"

SAIL DIMENSIONS FIG. 12



RIGGING

PT. NO.	NAME	LENGTH	REMARKS
67	SHROUDS	16'-0" INCLUDING SWAGED EYE	1/2" DIA 5/16x19
67	FORESTAY	17'-1 1/2" INCLUDING SWAGED EYE	1/2" DIA 5/16x19
69	JIB HALYARD	15'-6" INCLUDING THIMBLE/SWAGE	3/8" DIA 5/16x7
70	MAIN HALYARD	22'-0" INCLUDING THIMBLE/SWAGE	3/8" DIA 5/16x7
71	BOOM VANG WIRE	2'-6" CUT LENGTH	3/16" DIA 5/16x7
72	MAIN SHEET	49'-0" "	3/8" DIA BRAIDED DACRON
73	JIB SHEET	25'-0" "	3/8" DIA "
74	CENTRE BOARD HOIST	10'-0" "	1/4" DIA "
75	SPINNAKER HALYARD	43'-0" INCLUDING SWAGE	1/2" DIA "
76	SPINNAKER SHEET/GUY	45'-0" INCLUDING SWIVELLING SHOCKCORD	1/2" DIA "
77	SPINNAKER POLE TOPPING	25'-0" INCLUDING SWAGE	1/2" DIA "



*TURNBUCKLE HALF OPEN
 3/8 INDICATES STAINLESS STEEL WIRE ROPE

REVISION

NO.	REVISION	DATE	BY
1	TURNBUCKLE CHANGED		
2	WELDED TYPE CHANGED TO STAINLESS STEEL STRAP		
3	CHANGED BOOM EYE CHANGED TO STAINLESS STEEL		
4	CAM ACTION JIBS CLEAR PART 65 (SEE PART 6) CHANGED TO BOOM VANG WIRE		
5	KINGPOST REMOVED NON-BLOCKED SHOWING ABOARD		
6	SPINNAKER OPTS. SHOWING ABOARD		
7	MAX. MIN. SAIL DIMS. (FIG. 12) SHOWING WITH SAIL WIDTHS ADDED		
8	SAFETY PLATE CHANGED TO 1/2" DIA		
9	OPTIONAL MAIN SHEET TRAVELLER FROM CHANGED TO FIG. 9B		
10	SPINNAKER POLE TOPPING OPTS. CHANGED TO SWIVELLING SHOCKCORD		
11	BOOM FLotation TANK CHANGED TO 1/2" DIA		

REVISION

NO.	REVISION	DATE	BY
1	CENTRE BOARD HOIST BLOCK CHANGED TO PIVEL BLOCK		
2	PART BY COORLINE TRACK ADDED		
3	COCKPIT COVER LAGGING EYE ADDED		
4	SPINNAKER SHEET/GUY CAM ACTION CHANGED TO FIG. 75		
5	SPINNAKER HALYARD 3/8" DIA CHANGED TO SWIVELLING SHOCKCORD		
6	BOOM FLotation TANK CHANGED TO 1/2" DIA		

REVISION

NO.	REVISION	DATE	BY
1	JIB CAM ACTION JIBS CLEAR PART 65 CHANGED TO CLAM CLEAR		
2	5/8 JIB SHEET TRACK ADDED & BLOCK RELUCATED IN BOARD		
3	SPINNAKER HALYARD 3/8" DIA CHANGED TO SWIVELLING SHOCKCORD		
4	SPINNAKER SHEET/GUY CAM ACTION CHANGED TO FIG. 75		
5	BOOM FLotation TANK CHANGED TO 1/2" DIA		

SPECIFICATIONS

ITEM	VALUE
LENGTH OVERALL	16'-4"
LOAD WATER LINE	15'-7"
DRAFT	7'-0" 2 1/2"
VERTICAL CLEARANCE	25'-0"
WEIGHT RIGGED	
SAILS	100 SQ. FT.
WORKING JIB	55 SQ. FT.
GENOA	45 SQ. FT.
SPINNAKER	205 SQ. FT.

NO.	DESCRIPTION	QTY.	PRICE
85	OFFSET BLOCK FOR MAIN SHEET TRAVELLER PERMANENT P/S	2	40900
86	MAIN SHEET DOUBLE SWIVEL BLOCK WITH DROCKET	1	40830
87	SPINNAKER SHEET/BOOM BLOCK P/S	2	40900
88	BOOM VANG SINGLE BLOCK WITH SHOCK	1	40860
89	BOOM VANG WIRE	1	40650
90	BUCKET WITH WIRE TIE-BRON WIRE 1/2" DIA NYLON ROPE	1	41570
91	GOOSENECK TRACK	1	70711
92	ADJUSTABLE CLEW OUTHAUL FITTING (BOOM)	1	DELETED SEE TYPE B
93	SINGLE BLOCK WITH SHOCK (OUTHAUL)	1	DELETED SEE TYPE B
94	OUTHAUL JAMB CLEAR	1	DELETED SEE TYPE B
95	OUTHAUL TACKLE	1	DELETED SEE TYPE B
96	OFFSET BLOCK CLEW OUTHAUL	1	DELETED
97	SPINNAKER POLE TOPPING LINE W/ SWAGE	1	
98	SPINNAKER SHEET/GUY WITH SWIVEL WIRE EYE	2	
99	SPINNAKER HALYARD SWAGE	1	
100	CENTRE BOARD HOIST	1	
101	JIB SHEET	2	
102	MAIN SHEET	1	
103	BOOM VANG TACKLE LINE	1	
104	MAIN HALYARD WOODRICK RELEASE SHACKLE AND ROPE TAIL	1	91503
105	JIB HALYARD WOODRICK RELEASE SHACKLE AND ROPE TAIL	1	91502
106	FORESTAY	1	91501
107	SHROUD (P/S)	2	91511
108	FIBERGLASS PEDestal	1	DELETED
109	BOOM VANG WIRE	1	71340
110	SHROUDS WINCH	1	40350
111	SPINNAKER SHEET/GUY SWIVEL BLOCK & P/S STRAP	2	40730/41300
112	DRAIN PLUG SWAGE/COCK	3	41750
113	1/2" PADLOCK HASP (WATER COPE)	1	41360
114	WOODEN HATCH COVER	1	
115	CENTRE BOARD HOIST JAMB CLEAR	1	40300
116	CENTRE BOARD PIN ASSEMBLY	1	41320/41330
117	CENTRE BOARD HOIST SWIVEL BLOCK AND P/S STRAP	2	40730/41300
118	THROU DECK RELEASE SPINNAKER HALYARD TOPPING LIFT TRAVELLER WITH CARRIAGE ASSY.	2	41190
119	OPTIONAL MAIN SHEET TRAVELLER WITH CARRIAGE ASSY.	1	41440/41441/41445
120	LACING EYE (COCKPIT COVER) P/S	3	41300
121	PADDLE BOOM CRUTCH	1	20110
122	5/8 OUTBOARD BRACKET BOW	2	41340
123	5/8 MAST GATE	1	41350
124	SPINNAKER SHEET/GUY CAM ACTION JAMB CLEAR P/S	2	40250
125	JIB SHEET/CLAM CLEAR P/S	2	40290
126	CAM ACTION JAMB CLEAR SPINNAKER HALYARD TOPPING LIFT	2	40250
127	CAM ACTION JAMB CLEAR WITH PIVEL ADJUSTMENT TRAVELLER	2	40260
128	WOODEN CENTRE BOARD CAP	1	
129	WOODEN THWAFT	1	
130	5/8 JIB SHEET TRACK SLIDE & BLOCK	2	41270
131	5/8 JIB SHEET TRACK SLIDE & BLOCK	2	40850
132	5/8 MAIN SHEET TRAVELLER	1	41430
133	5/8 TRAVELLER BLOCK/WOBBLE	1	40630
134	5/8 FIDDLE BLOCK	1	40870
135	5/8 ADJUSTABLE SWIVEL MAIN SHEET BLOCK/WOBBLE	1	40560
136	5/8 SINGLE BLOCK/WOBBLE	1	40860
137	5/8 JIB HALYARD BLOCK/STRAP	1	40840
138	5/8 SHROUD TANG	2	71040
139	5/8 FORE STAY TANG	2	70990
140	SPINNAKER HALYARD SWIVEL BLOCK & P/S STRAP	2	40750 & 41300
141	SPINNAKER POLE TOPPING LIFT SWIVEL BLOCK & P/S STRAP	2	40750 & 41300
142	5/8 SPINNAKER POLE STRAP	1	7960
143	ALUMINUM CLEAR P/S	2	40230
144	5/8 BOOM VANG EYE	1	70970
145	BATTEN	4	SEE MAIN SHEET
146	BOOM VANG KEY	1	70300
147	2 1/2" BOOM VANG PLATE	1	70240
148	5/8 BOOM CHAIN 5/8 STRAP	1	70920
149	5/8 MILLER/HIKING STRAP	1	42010
150	5/8 ROLLER REEFING GOOSENECK	1	70470
151	ALUMINUM TACK FITTING	1	81071
152	ALUMINUM CLIP	1	81060
153	ALUMINUM FITTING	1	41400
154	5/8 RUDDER RETAINING STOP	1	DELETED
155	5/8 GUGGON	2	41400
156	5/8 PIVEL	2	DELETED
157	WOODEN RUDDER HEAD C/W TITLES	1	41990
158	5/8 RUDDER CAP	1	DELETED
159	ANODISED ALUMINUM RUDDER BLADE	1	42230
160	FIBERGLASS HULL	1	91001/91002
161	FIBERGLASS HULL	1	91001/91002
162	ANODISED ALUMINUM CENTER BOARD	1	41970
163	NYLON SPINNAKER	1	80520
164	ANODISED ALUMINUM SPINNAKER POLE W/O FITTINGS	1	71810 - N.BING
165	ANODISED ALUMINUM BOOM	1	71530
166	ANODISED ALUMINUM MAST	1	71500
167	ANODISED ALUMINUM	1	80530
168	DACRON GENOA	1	80510
169	DACRON JIB	1	80510
170	DACRON MAIN SAIL INC 3/8" TIE	1	80560

TANZER 18 SLOOP

DESIGNED BY: [Signature]

DRAWN BY: [Signature]

CHECKED BY: [Signature]

DATE: 2021

SCALE: 1/4" = 1'-0"

DATE: 2021

SCALE: 1/4" = 1'-0"